

# 1 Overall machine structure size

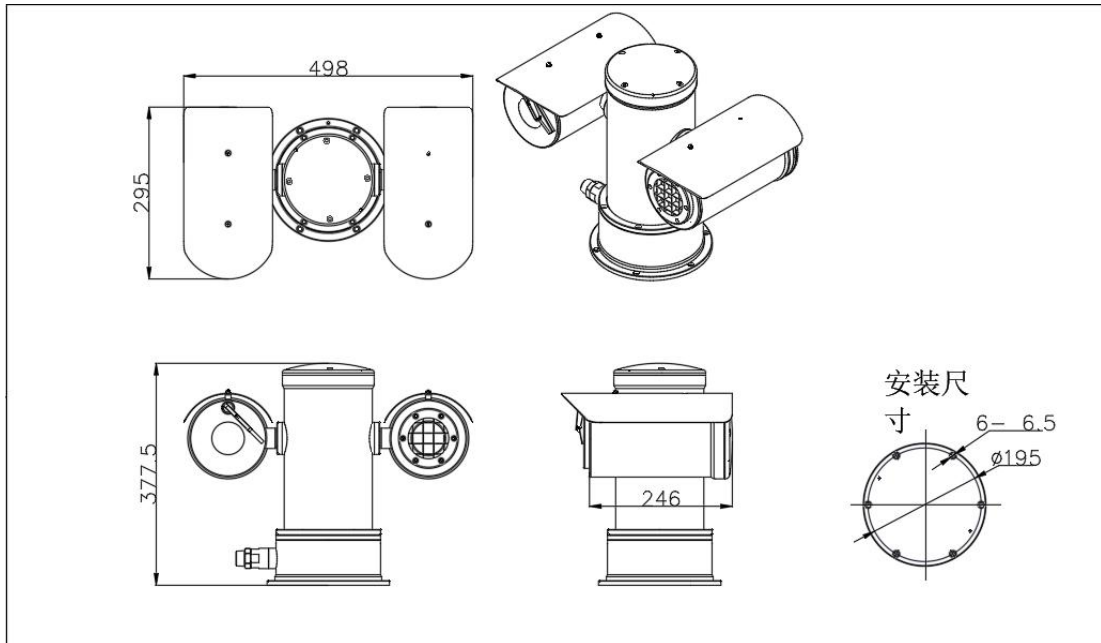
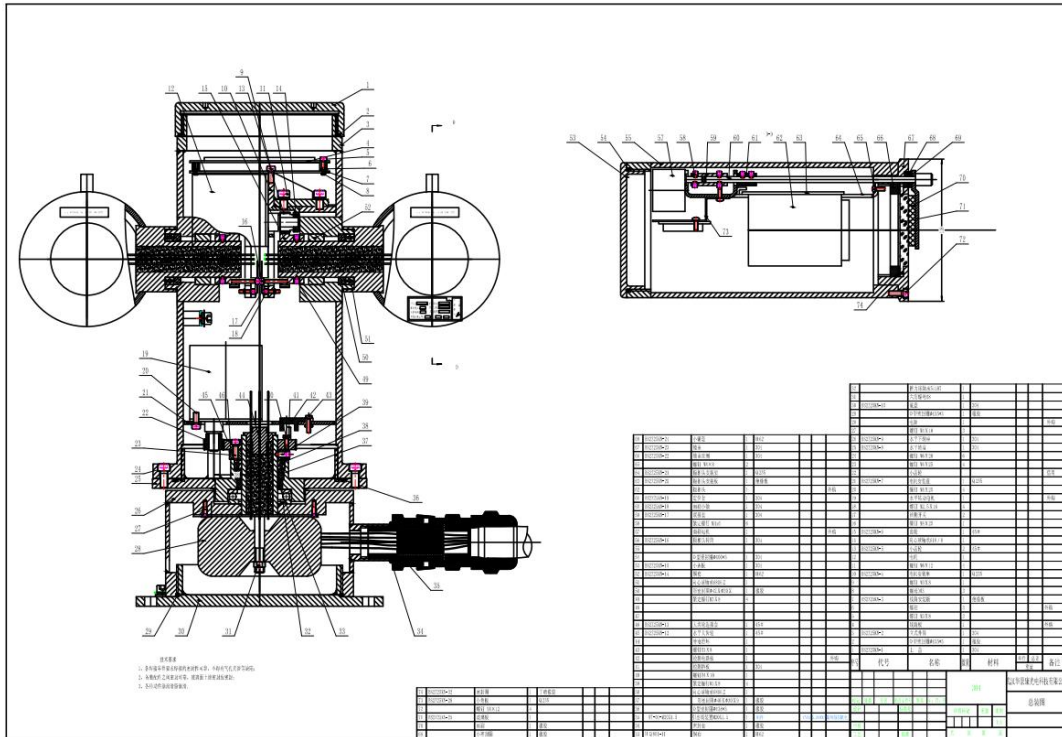


Figure 1 Structural dimensions